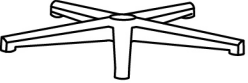



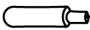


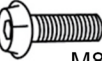
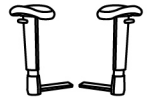
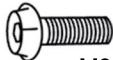


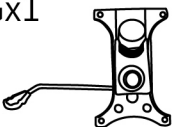



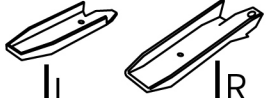




| | |
|--|---|
| Ax1  | Jx1  |
| Bx5  | Kx1  |
| Cx1  | Lx1  |
| Dx1  | Mx4  M8 x 25MM |
| Ex1(L)x1(R)  | Rx8  M8 x 20MM |
| Fx1  | Nx2  M5x10mm |
| Gx1  | Ox12  |
| Hx1  | Px12  |
| Ix1(L)x1(R)  L R | Px4  |
| | Qx4  |

